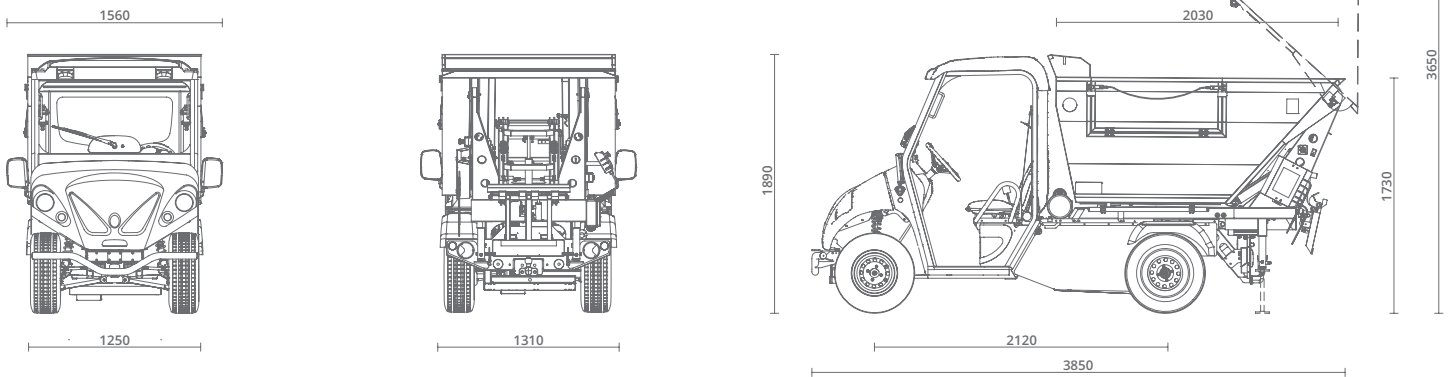




WASTE COLLECTING BODY

technical specs



technical characteristics

compatible models	ATX210E ATX230E/ED/H ATX240E/ED/H
road homologation	• Only if fitted on models with road homologation.
length of vehicle	[E versions - mm] 3.850 [ED versions - mm] 4.610
width of vehicle	[mm] 1.310
height of vehicle	[mm] 1.890
loading capacity of vehicle	The load capacity of the vehicle is given by the load capacity (chassis) of the model on which is mounted the module less the weight of the module itself.
loading capacity of the module	[210E - kg] 400 [230E/240E/ED/H - kg] 650



technical characteristics

weight of the module	[kg] 180 255 (with bin lift system)	The weight of the vehicle is given by the empty weight (chassis) of the model on which is mounted the module plus the weight of the module itself.
load volume	[m ³] 2	
dumping system	90° electrohydraulic	The electrohydraulic control unit of the waste collection body and of the bin lifting system are powered directly from the drive batteries.
dumping height	[mm] 1.450	
bin lift system operation	electrohydraulic	The bin lift system (Δ) is equipped with a mechanism that allows to keep the container in vertical position and empty it when the bin has reached the loading mouth.
range of uses	120 - 240 - 360 liters bins	

optionals and accessories

bin lift system	Δ	This option can be fitted only on ATX230E/ED/H and ATX240E/ED/H models.
tarp system for waste collecting body	Δ	
rotating beacon light on waste collecting body	Δ	

note

This module is powered by the battery of the vehicle therefore can affect the autonomy of the vehicle itself.

For all the other data refer to the technical specs of the model on which is fitted the module.

The technical specifications, design and performance of the products listed in this technical sheet are indicative and may undergo modifications without forewarning.

- standard
- Δ optional
- x not compatible