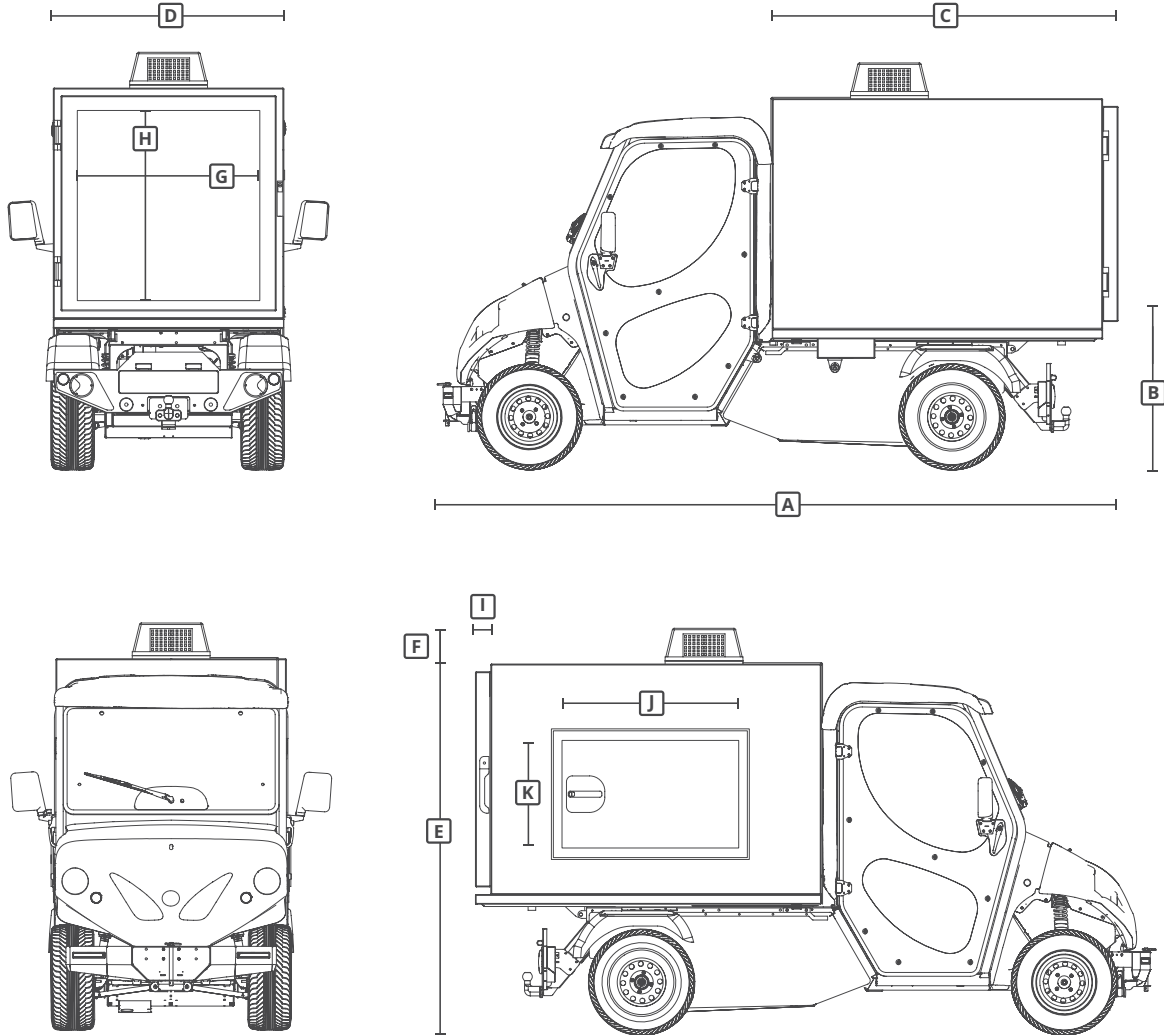




# ATX N1 REFRIGERATED BOX



Refrigerated box available in two dimensions, certificated refrigeration unit placed on the roof and remote control with LCD in the cab. Operating temperature: 0°C / +4°C. Compatible with ATX range N1 road approval.

The system is supplied by the vehicle to 12V/48V during transport e connects itself to 220V when the vehicles are at rest during the night (under charging) or when is near to a power outlet at a prolonged stop. Refrigerated body and refrigerated unit have as optional the ATP - FRAX certification.

Refrigerated box is a mono block structure made of fibreglass sandwich panels and rigid expanded polyurethane, machined and moulded joints for isothermal optimisation. Finishing in white gel coat specific for foods.

Footrests are made of PVC. External finishes with bended profiles in pre-painted aluminium.

The box has one right side door (left side door under request for Anglo-Saxon countries) and single or double rear door depends on the box model.

compatibles models	ATX230E N1 ATX230ED N1 ATX230EH N1	ATX240E N1 ATX240ED N1 ATX240EH N1
refrigerated box's weight	[ mm ]	300 <sup>(3)</sup> / 350 <sup>(4)</sup>
refrigerated box's volume	[ m <sup>3</sup> ]	1.5 <sup>(3)</sup> / 2.35 <sup>(4)</sup>
A vehicle's length	[ mm ]	3.530 <sup>(1)</sup> / 3.730 <sup>(2)</sup>
B distance between floor/load platform	[ mm ]	860
C refrigerated box's length	[ mm ]	1.800 <sup>(3)</sup> / 2.000 <sup>(4)</sup>
D refrigerated box's width	[ mm ]	1.200 <sup>(3)</sup> / 1.400 <sup>(4)</sup>
E height of refrigerated box + vehicle	[ mm ]	2.170 <sup>(3)</sup> / 2.220 <sup>(4)</sup>
F refrigeration unit's height	[ mm ]	1.420 <sup>(3)</sup> / 1.470 <sup>(4)</sup>
G rear door width	[ mm ]	950 <sup>(3)</sup> / 1.150 <sup>(4)</sup>
H rear door height	[ mm ]	990 <sup>(3)</sup> / 1.090 <sup>(4)</sup>
I rear door thickness	[ mm ]	120
J side door width	[ mm ]	920
K side door height	[ mm ]	560

• as standard    Δ optional    ! compatible but not type-approved for road circulation  
 — not available    (1) vehicle with standard wheelbase    (2) vehicle with long wheelbase  
 (3) standard length refrigerated box    (4) long length refrigerated box



**NOTE**

This module is powered by the battery of the vehicle therefore can affect the autonomy of the vehicle itself.

For all the other data refer to the technical specs of the model on which is fitted the module.

The technical specifications, design and performance of the products listed in this technical sheet are indicative and may undergo modifications without forewarning.



Via Cile, 5  
35127 Padua | Italy



+39 049 761208



info@alke.com

**WWW**

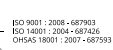
www.alke.com



- as standard
- Δ optional
- ! compatible but not type-approved for road circulation
- not available
- <sup>(1)</sup> vehicle with standard wheelbase
- <sup>(2)</sup> vehicle with long wheelbase
- <sup>(3)</sup> standard length refrigerated box
- <sup>(4)</sup> long length refrigerated box

© 2018 Alkè

Rev. 180122



The technical specifications, design and performance levels indicated in this technical data sheet are by way of example only and may be subject to modifications without prior notice.