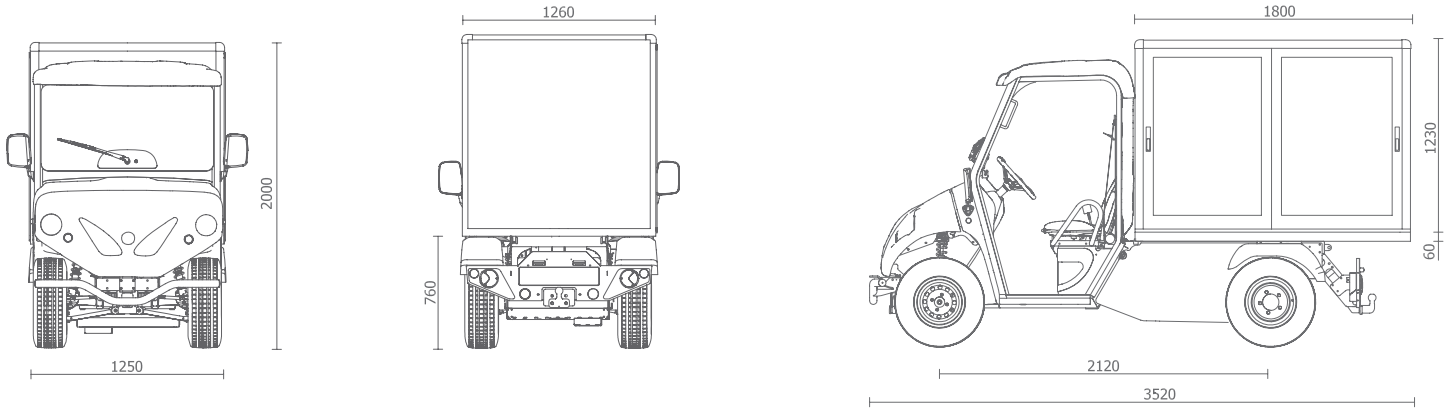




CLOSED CARGO BOX

technical specs



technical characteristics

compatible models	ATX210E ATX230E/ED/H ATX240E/ED/H	
road homologation	•	Only if fitted on models with road homologation.
height of vehicle	[mm] 2.000	
loading capacity of vehicle		The load capacity of the vehicle is given by the load capacity (chassis) of the model on which is mounted the module less the weight of the module itself.
weight of the module	[kg] 116	The weight of the vehicle is given by the empty weight (chassis) of the model on which is mounted the module plus the weight of the module itself.
external dimensions	[mm] 1.800 x 1.260 x 1.230	
useful internal volume	[m³] 2.8	
structure	plywood panels fiberglass coated and with aluminum profiles	Platform in aluminium checkered sheet. Isothermal insulation.
doors	lateral	Four sliding side doors for easy access to all the inner areas of the box.



optionals and accessories

interior LED lighting •

locks •

internal shelf Δ

note

For all the other data refer to the technical specs of the model on which is fitted the module.

The technical specifications, design and performance of the products listed in this technical sheet are indicative and may undergo modifications without forewarning.

• standard Δ optional x not compatible