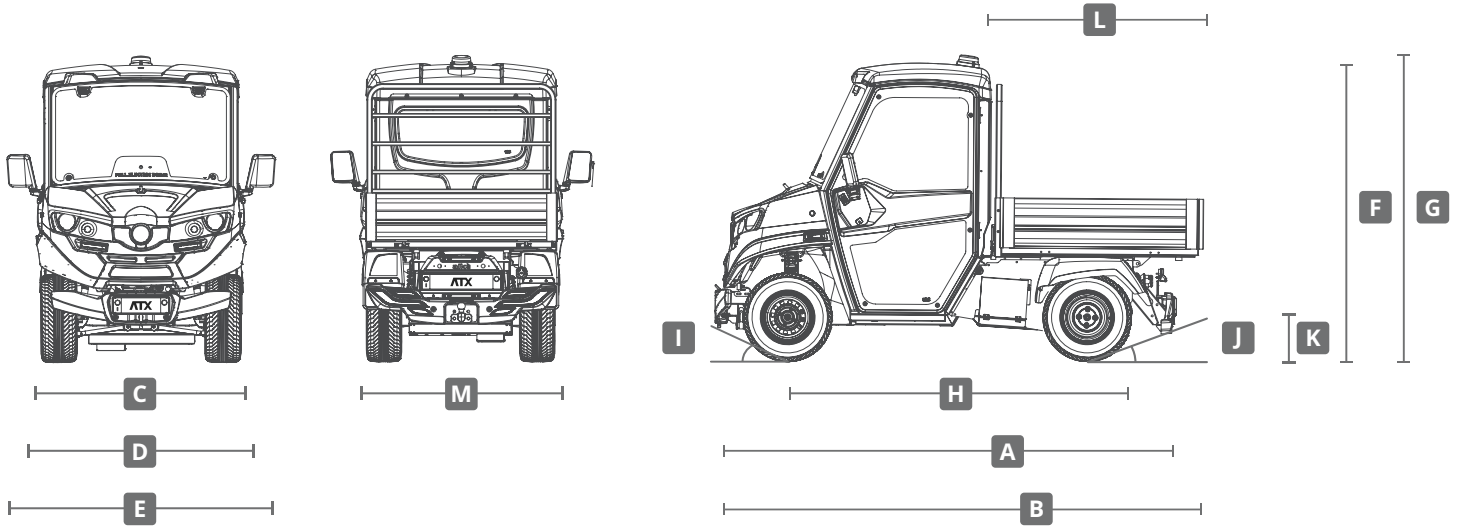




DR1

alkè
ELECTRIC VEHICLES

ATX 310E



	310 E	weight [kg]
--	----------	----------------

TYPE-APPROVAL CAB SEATS		
EU on-road type-approval	N1	
seats inside the cab	2	
right-hand drive	Δ	+ 0.0

PERFORMANCE		
top speed	[km/h]	44
maximum negotiable slope (with high-performance batteries)	[%]	30
maximum autonomy	Lead-Acid 10 kWh [km]	72
	Lead-Acid 14.4 kWh [km]	—
	Gel 8.7 kWh [km]	61
	Gel 13.2 kWh [km]	—
	Lithium (LiFePO4) 10 kWh [km]	—
(The max autonomy value reported is indicative and refers to homologation data collected on WLTP cycle basis (combined circuit) with an configuration Alkè' ATX vehicle with basic flatbed configuration.)	Lithium (LiFePO4) 20 kWh [km]	—
	Lithium (LiFePO4) 20 kWh [km]	—

DIMENSIONS		
A length (chassis version)	[mm]	2.860
B length (version with cargo bed)	[mm]	3.030
C vehicle cab width (without rear-view mirrors)	[mm]	1.215
D vehicle cab width (with wing mirrors closed)	[mm]	1.380
E vehicle cab width (with wing mirrors open)	[mm]	1.650
F cab height (with standard tyres)	[mm]	1.890
G vehicle height with beacon light (with standard tyres)	[mm]	1.980
H wheelbase	[mm]	1.850
I approach angle	[°]	40
J departure angle	[°]	16

	310 E	weight [kg]
--	----------	----------------

K rear axle distance from ground	[mm]	130
L maximum loading bed length	[mm]	1.400
M maximum loading bed width	[mm]	1.400

WEIGHTS CAPACITY AND TOWING		
UVW unloaded vehicle weight (chassis version with battery)	Lead-Acid 10 kWh [kg]	890
	Lead-Acid 14.4 kWh [kg]	—
	Gel 8.7 kWh [kg]	890
	Gel 13.2 kWh [kg]	—
	Lithium (LiFePO4) 10 kWh [kg]	—
Lithium (LiFePO4) 20 kWh [kg]	—	—
	—	—
GWV gross vehicle weight (max weight for fully-loaded vehicle)	[kg]	1.510
GCW gross combined weight (max weight for fully-loaded vehicle + trailer)	[kg]	2.500
maximum towing capacity (on road braked trailer)	[kg]	1.200
maximum traction power	[N]	2.800
maximum towing capacity (not on road braked trailer)	[kg]	2.000
maximum chassis load capacity (= GVW - UVW)	Lead-Acid 10 kWh [kg]	620
	Lead-Acid 14.4 kWh [kg]	—
	Gel 8.7 kWh [kg]	620
	Gel 13.2 kWh [kg]	—
	Lithium (LiFePO4) 10 kWh [kg]	—
Lithium (LiFePO4) 20 kWh [kg]	—	—



	310 E	weight [kg]
MOTOR CONTROLLER		
48V AC asynchronous induction electric motor	•	
maximum motor power [kW]	14	
maximum motor torque [Nm]	113	
CURTIS 48V control electronics	•	
vehicle performance settings (ECO and SPORT)	•	
auxiliary cooling system for motor / controller	Δ	+ 2.0
Vehicle Body Computer (VBC)	Δ	
12M STD Cloud Service license	Δ	
12M PRO Cloud Service license	Δ	
TRANSMISSION		
transmission with electronic speed variation	•	
rear wheel drive	•	
heavy duty differential unit	—	
SUSPENSIONS		
front suspension with MacPherson type independent wheels	•	
rear suspension with De-Dion bridge and stabiliser bar	•	
BRAKES		
front hydraulic discs brakes and rear hydraulic drum brakes	•	
rear hydraulic drum brakes with mechanical servobrake	—	
parking brake	•	
regenerative brake	•	
STEERING		
rack and pinion steering	•	
electric power steering (EPS)	Δ	+ 7.0
minimum turning radius internal [mm]	2.300	
BODY CHASSIS		
white body	•	
customised body colour	Δ	+ 0.0
steel chassis with anti-corrosion treatment and powder coating finish	•	
impact-resistant polyethylene front and rear bumpers	•	
SAFETY		
3-point seat belt for driver and passenger(s)	•	
immobilizer and presence sensor on driver's seat	•	
steering lock with key	•	
horn / reverse buzzer	•	
rear view camera with LCD rear view monitor	Δ	
forward gear buzzer activable from dashboard	Δ	
safety switch inside the cab for 48 V drive battery	•	
safety switch inside the cab for 12 V service battery	•	
tyre repair kit	•	
LIGHTS		
front and rear lights in road style	•	
full LED rear lights	•	
rear fog light and LED reversing light	•	
LED DRL lights	•	
orange flashing LED on cab roof	Δ	+ 2.0
blue flashing LED on cab roof	Δ	+ 2.0
CAB COMFORT		
timed heated windshield	•	
electric demister	Δ	+ 7.0
Webasto heating (as an alternative to electric demister)	Δ	+ 13.0
air-conditioning	Δ	+ 25.0
adjustable seats	•	
front doors	•	

	310 E	weight [kg]
front doors with sliding windows	Δ	+ 0.0
rear doors	—	
armrests	Δ	+ 3.5
headrests	•	
rear seat bench	—	+ 22.0
cab interior lighting	•	
sun visors	Δ	
rear-view camera with internal LCD color monitor	Δ	
car audio system AM/FM/DAB/DAB+ with USB and Bluetooth	Δ	
rear speakers for 4-seats models	—	
openable front windshield	•	
central door locks with remote control	Δ	
windscreen wiper with windscreen washer	•	
DASHBOARD		
ECO / SPORT selector	•	
12V 10A socket	•	
speedometer (km / mph)	•	
hour meter	•	
indicators	battery state of charge	battery capacity
	inverter temperature	inverter errors
		motor temperature
		current delivered by inverter
dashboard LCD colour display	•	
warning lights	indicators	doors lock
	lifted cargo bed	heated windshield
		side lights
	low beam headlights	headlights
		rear fog light
	electric demister	EPS
		Webasto fuel shortage
	beacon light	battery on charge status
		electric motor overheating
	forward gear	backward gear
		neutral gear
	emergency lights	aux 1
		aux 2
BATTERY		
	type / capacity	
type	Lead-Acid	10 kWh
	Lead-Acid	14.4 kWh
	Gel	8.7 kWh
	Gel	13.2 kWh
	Lithium (LiFePO4)	10 kWh
	Lithium (LiFePO4)	20 kWh
number of batteries	Lead-Acid	10 kWh
	Lead-Acid	14.4 kWh
	Gel	8.7 kWh
	Gel	13.2 kWh
	Lithium (LiFePO4)	10 kWh
	Lithium (LiFePO4)	20 kWh

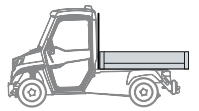


			310 E	weight [kg]
estimated battery life	Lead-Acid 10 kWh	[cycles]	1.200	
	Lead-Acid 14.4 kWh	[cycles]	—	
	Gel 8.7 kWh	[cycles]	700	
	Gel 13.2 kWh	[cycles]	—	
	Lithium (LiFePO4) 10 kWh	[cycles]	—	
estimated battery charge time	Lead-Acid 10 kWh	[hours]	8	
	Lead-Acid 14.4 kWh	[hours]	—	
	Gel 8.7 kWh	[hours]	11	
	Gel 13.2 kWh	[hours]	—	
	Lithium (LiFePO4) 10 kWh	[hours]	—	
consumption for complete recharge	Lead-Acid 10 kWh	[kWh]	9	
	Lead-Acid 14.4 kWh	[kWh]	—	
	Gel 8.7 kWh	[kWh]	7.5	
	Gel 13.2 kWh	[kWh]	—	
	Lithium (LiFePO4) 10 kWh	[kWh]	—	
12 V services auxiliary battery	Lithium (LiFePO4) 20 kWh	[kWh]	—	
	Lithium (LiFePO4) 10 kWh with quick charge	[hours]	—	
	Lithium (LiFePO4) 20 kWh with quick charge	[hours]	—	
	Lithium (LiFePO4) 10 kWh	[kWh]	—	
	Lithium (LiFePO4) 20 kWh	[kWh]	—	
battery charge on vehicle (PFC active)	(power supply 230V 16A 50-60Hz)		•	
	(power supply 380V 16A 50-60Hz)		—	(ext.) +15.0
battery swap system	Lead-Acid 14.4 kWh		—	
	Gel 13.2 kWh		—	
battery top-up	Lead-Acid 10 kWh		Δ	+ 0.0
	Lead-Acid 14.4 kWh		Δ	+ 0.0

CONFIGURATIONS AND CARGO AREA ACCESSORIES

dropside body with manual tipping (aluminium drop sides H30 cm)	130 x 123 cm	Δ	+ 105.0
	180 x 123 cm	—	+ 130.0
	200 x 140 cm	—	+ 160.0
flatbed for special configurations	130 x 123 cm	Δ	+ 80.0
	180 x 123 cm	—	+ 90.0
	200 x 140 cm	—	+ 120.0

		310 E	weight [kg]
mesh sides extension H55 cm with rear drop side with upwards opening	for body 130 x 123 cm	Δ	+ 25.0
	for body 180 x 123 cm	—	+ 29.0
	for body 200 x 140 cm	—	+ 30.0
COMBI mesh sides extension H55 cm 150 x 123 cm with rear drop side		—	+ 30.0
electro-hydraulic tipping for dropside body unit	for body 130 x 123 cm	Δ	+ 14.0
	for body 150 x 123 cm	—	
	for body 180 x 123 cm	—	+ 15.0
	for body 200 x 140 cm	—	+ 15.0
dropside body 180 x 123 cm with three side hydraulic tipping		—	+ 190.0
tarpaulin body H108 cm openable on three sides for dropside body	for body 130 x 123 cm	Δ	+ 25.0
tarpaulin body H108 cm openable on three sides for dropside body	for body 180 x 123 cm	—	+ 30.0
tarpaulin body H108 cm openable on three sides for dropside body	for body 200 x 140 cm	—	+ 35.0
custom colour for tarpaulin body		Δ	+ 0.0
tarpaulin body H110 cm for COMBI 150 x 123 cm dropside body		—	35.0
removable rear seats kit with two independent seats, platform and 2-points seat belts		—	+ 45.0
tarpaulin roof H105 for rear seats kit		—	+ 30.0
ambulance body equipped with spine board and box/seat for medical staff		—	+ 75.0
roof for ambulance body		—	+ 20.0
box van body H122 cm 180 x 125 cm with sliding doors (2 per side)		—	+ 130.0
box van body H122 cm 200 x 140 cm with sliding doors (2 per side)		—	+ 170.0
box van body with side roller shutters H132 cm 180 x 125 cm		—	+ 150.0
box van body with side roller shutters H132 cm 200 x 140 cm		—	+ 180.0
set 2 shelves for box van body with sliding doors (each shelf covers half of the depth)	180 x 123 cm	—	+ 8.0
	200 x 140 cm	—	+ 12.0
dropside body 150 x 123 cm COMBI		—	
COMBI storage box 45 x 125 cm H110 cm		—	
watering unit with 600 L tank		—	+ 140.0
COMBI high pressure cleaner with 210 L tank and 20 m hose		—	
high pressure cleaner with 600L tank and 20 m hose		—	+ 150.0
load lashing eyes on loading bed		Δ	
tail lift and dropside body 200 x 140 cm H30 cm with mesh sides extension H55 cm		—	+ 370.0
tail lift and box van body 200 x 140 cm		—	+ 390.0
Isothermal body H120 cm	180 x 123 cm	—	+ 120.0
Isothermal body H130 cm	200 x 140 cm	—	+ 140.0
refrigerated body 0 +4 °C with side and rear door	180 x 124 cm	—	+ 220.0
	200 x 140 cm	—	+ 250.0
COMBI waste collection body (1.7 m3 version)		—	
waste collection body 2.2m ³		—	+ 200.0
waste collection body with bin lift system 2.2m ³		—	+ 280.0
waste collection body 2.8m ³		—	+ 240.0
waste collection body with bin lift system 2.8m ³		—	+ 320.0
tarp system for waste collection body		—	+ 15.0
broom and dustpan holder kit		—	+ 8.0
hydraulic crane coupled with 150x124 cm H30 cm dropside body		—	+ 400.0
semi-trailer coupling system fitting DIN Ø40 drawbar eyes		—	+ 60.0



	310 E	weight [kg]
reverse inching device for easy trailers coupling	—	+ 4.0
semi-trailer coupling system with fifth wheel fitting 2" kingpins	—	+ 100.0
FRONT / REAR ACCESSORIES		
front pin tow hitch	•	
rear ball tow hitch	•	
rear trailer hitch with ball & pin coupling (instead of standard ball hitch)	Δ	+ 3.5
automatic tow hitch fitting DIN Ø40	—	+ 15.0
front protective bumper	•	
rear 13 pin connector	•	
show plough hydraulic kit	Δ	+ 10.0
snow plough	!	+ 82.0
electric salt spreader	Δ	+ 50.0
anti-roll kit	—	+ 5.0
rear hydraulic kit	Δ	+ 4.0
TYRES		
road tyres (front and rear 175/65 R14)	•	
road tyres (front and rear 175/70 R14)	—	
road tyres (front and rear 175/75 R14)	—	
low-profile road tyres (front and rear 225/55 R12)	—	
turf tyres (front and rear 23x8.50-12 6PR)	!	
turf tyres (front 23x8.50-12 6PR, rear 23x10.50-12 8PR)	—	
off-road tyres (front and rear 23x8.50-12 6PR)	!	
off-Road tyres (front 23x8.50-12 6PR and rear 23x10.50-12 8PR)	—	
tyres puncture protection treatment	Δ	
spare wheel (provided separately)	Δ	(ext.) +18.0

NOTE

Top speed: approximate, obtained on a flat surface in optimum usage conditions and in SPORT mode. **Maximum negotiable slope:** approximate and assessed with vehicle empty in ideal usage conditions on discontinuous ramps. **Maximum autonomy:** the max autonomy value reported is indicative and refers to homologation data collected on WLTP cycle basis (combined circuit) with an configuration Alke' ATX vehicle with basic flatbed configuration. **Estimated battery lifespan:** approximate figure, based on the information in the manufacturer's possession at the time this file was published. **Maximum towing capacity:** calculated in optimum usage conditions, the trailers must have repulsion brakes and comply with the law. Maximum vertical weight on the tow hitch: 120kg. **The technical specifications indicated in this catalogue** (performance, autonomy, dimensions, etc.) depend - or may depend - on temperature, terrain, driving style, accessories, load or use of the vehicle. The data usually refers to use on a flat surface in optimum usage conditions - i.e. a basic vehicle version with no load and with the lightest battery, on an even and paved road surface with an outdoor temperature of 25°C, the battery fully charged, on board electronic devices switched off, and without any other accessory consumption. **The technical specifications, design and performance levels indicated in this technical data sheet are by way of example only and may be subject to modifications without prior notice.**



Via Cile, 5
35127 Padua | Italy



+39 049 761208



info@alke.com

WWW

www.alke.com



© 2020 Alkè

Rev. 200330



ISO 9001:2015 - BN17607/17301
ISO 14001:2015 - BN17607/17302
OHSAS 18001:2007 - BN17607/17303

The technical specifications, design and performance levels indicated in this technical data sheet are by way of example only and may be subject to modifications without prior notice.